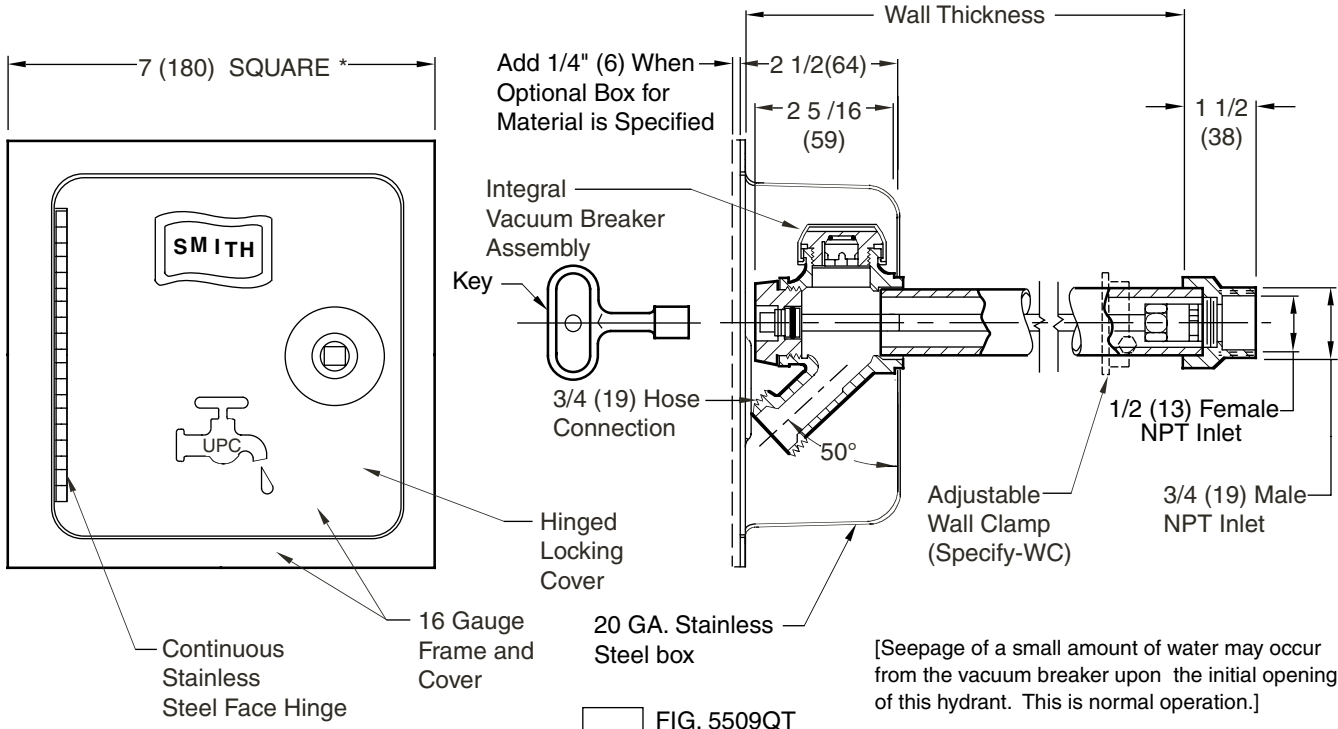


QUARTERHORSE 1/4 TURN NON-FREEZE WALL HYDRANT WITH INTEGRAL VACUUM BREAKER AND STAINLESS STEEL BOX

BOX TYPE WITH CONCEALED HOSE CONNECTION

FUNCTION: Provides positive non-freeze protection where water is required at the outside of the building and features an integral vacuum breaker. The stainless steel recessed box conceals the nozzle and operating mechanism. The locking cover prevents unauthorized use.

1/4 Turn of the Key Allows Full Flow to Be Obtained



□ FIG. 5509QT

REGULARLY FURNISHED:

Bronze Nickel Plated Quarter Turn Self Draining Non-Freeze Hydrant with Hose Connection, Integral Vacuum Breaker, "T" Handle Key, and Stainless Steel Box with Full 180° Cover Opening.

VARIATIONS:

- Adjustable Wall Clamp -WC
- Cylinder Lock -CL
- 1" (25) Hose Connection -HC1
- 1" (25) Male NPT Inlet Connection -IC1
- "Water" On Cover -W

OPTIONAL MATERIALS:

- Nickel Bronze Box Face -NB
- Polished Bronze Box Face -PB
- Rough Bronze Box Face -RB
- Chrome Plated Face -CP

** Add 3/4" (19) to Overall Length When Specified

- NOTES:**
1. *Recommended wall opening 6" (150) x 6" (150). Hydrant shall be in the vertical position only, the connection must be on the bottom.
 2. When ordering, specify wall thickness in 2" (51) increments as follows: 06(150), 08(205), 10(255), 12(305), 14(355), 16(405), 18(455), 20(510), 22(560) or 24(610). When wall clamp -WC is desired, increase wall thickness dimension by 2" (51).
 3. All Jay R. Smith hydrants are manufactured with "NO-LEAD" brazing rings, and USDA approved lubricants.
 4. When an Optional Box Face Material is Specified a Concealed Hinge will be Provided, also Add 1/4" (6) to Flange Thickness.
 5. The AB1953, California Lead Law, and NSF/ANSI Standard 61-2008 - Drinking Water System Components are not applicable to Jay R. Smith hydrants as they do not convey/dispense water for human consumption through drinking or cooking.
 6. Dimensions shown in parentheses are in millimeters.
 7. **FOR IRRIGATION PURPOSES ONLY.**

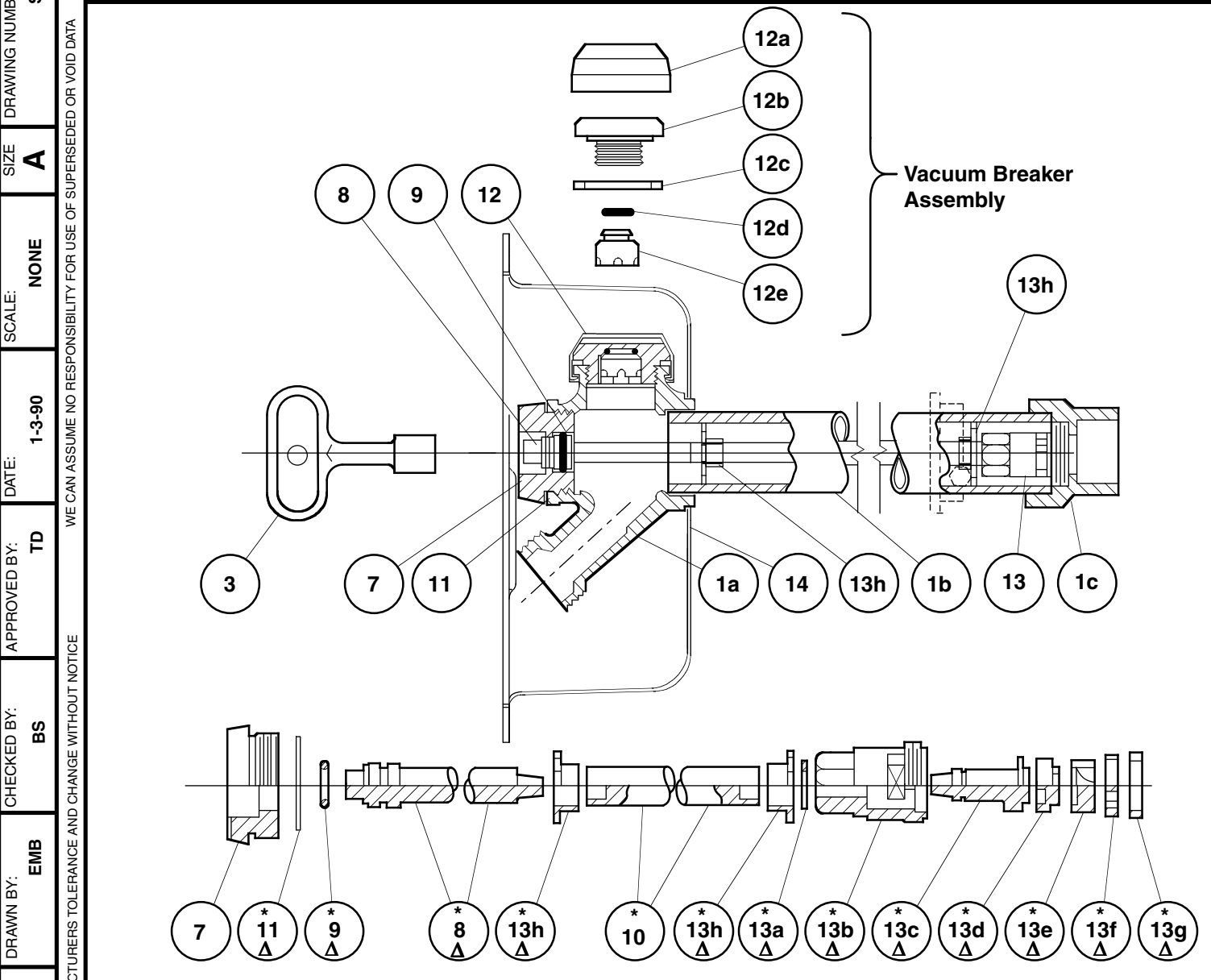
PATENTED

5509QT

FIGURE NUMBER	S R P N	1-31-13 6-13-11 5-17-11 5-4-10	Revised Notes Revised Note Added Note Rev. Reg. Furn.	TBW TBW TBW TBW	CL CL CL TWK	WEIGHT POUNDS	VOLUME CUBIC FEET	FIGURE NUMBER 5509QT
REV.	DATE	DESCRIPTION	BY	CKD. BY				

DRAWING NUMBER: 55509QT
 SIZE: A
 SCALE: NONE
 DATE: 5/23/90
 APPROVED BY: T.D.
 CHECKED BY: J.McD.
 DRAWN BY: JLO
 DIMENSIONS ARE SUBJECT TO MANUFACTURERS TOLERANCE AND CHANGE WITHOUT NOTICE
 WE CAN ASSUME NO RESPONSIBILITY FOR USE OF SUPERSEDED OR VOID DATA

HYDRANT PARTS LIST



DRAWING NUMBER: S5509QTBS
 SIZE: A
 SCALE: NONE
 DATE: 1-3-90
 APPROVED BY: TD
 CHECKED BY: BS
 DRAWN BY: EMB
 FIGURE NUMBER: 5509QT-BS
 DIMENSIONS ARE SUBJECT TO MANUFACTURERS TOLERANCE AND CHANGE WITHOUT NOTICE
 WE CAN ASSUME NO RESPONSIBILITY FOR USE OF SUPERSEDED OR VOID DATA

Δ These Replacement Parts Available in HPRK-7

* All Parts Accessible from Face of Hydrant by Removing Face Nut.

HYDRANT PARTS LIST			
NO.	DESCRIPTION	NO.	DESCRIPTION
1	Head/Casing Assembly	10	Operator Rod
1a	Head	11	Face Nut Washer
1b	Casing	12	Vacuum Breaker Assembly
1c	Valve Housing	12a	VB Cap
3	Key	12b	VB Body
7	Face Nut	12c	VB Washer
8	Actuator Shaft	12d	VB "O" Ring
9	Actuator "O" Ring	12e	VB Piston
		13	Valve Body Assembly
		13a	Retaining Ring
		13b	Valve Body
		13c	Valve Actuator
		13d	Nylon Thrust Washer
		13e	Rotating Ceramic Disc
		13f	Fixed Ceramic Disc
		13g	Silicon Rubber Seal
		13h	Retainer Guide (2)
		14	Box Assembly S.S.

F	5-21-92	Changed Repair Pts. Update Figure Number Rev Dwg Added HPRK-7VB Note	TWK	JCS	WEIGHT POUNDS	VOLUME CUBIC FEET	FIGURE NUMBER 5509QT
E	10-25-91		TWK	JCS			
D	12-90		EMB	JCS			
C	12-21-90		CMB	JCS			
REV.	DATE	DESCRIPTION	BY	CKD. BY			